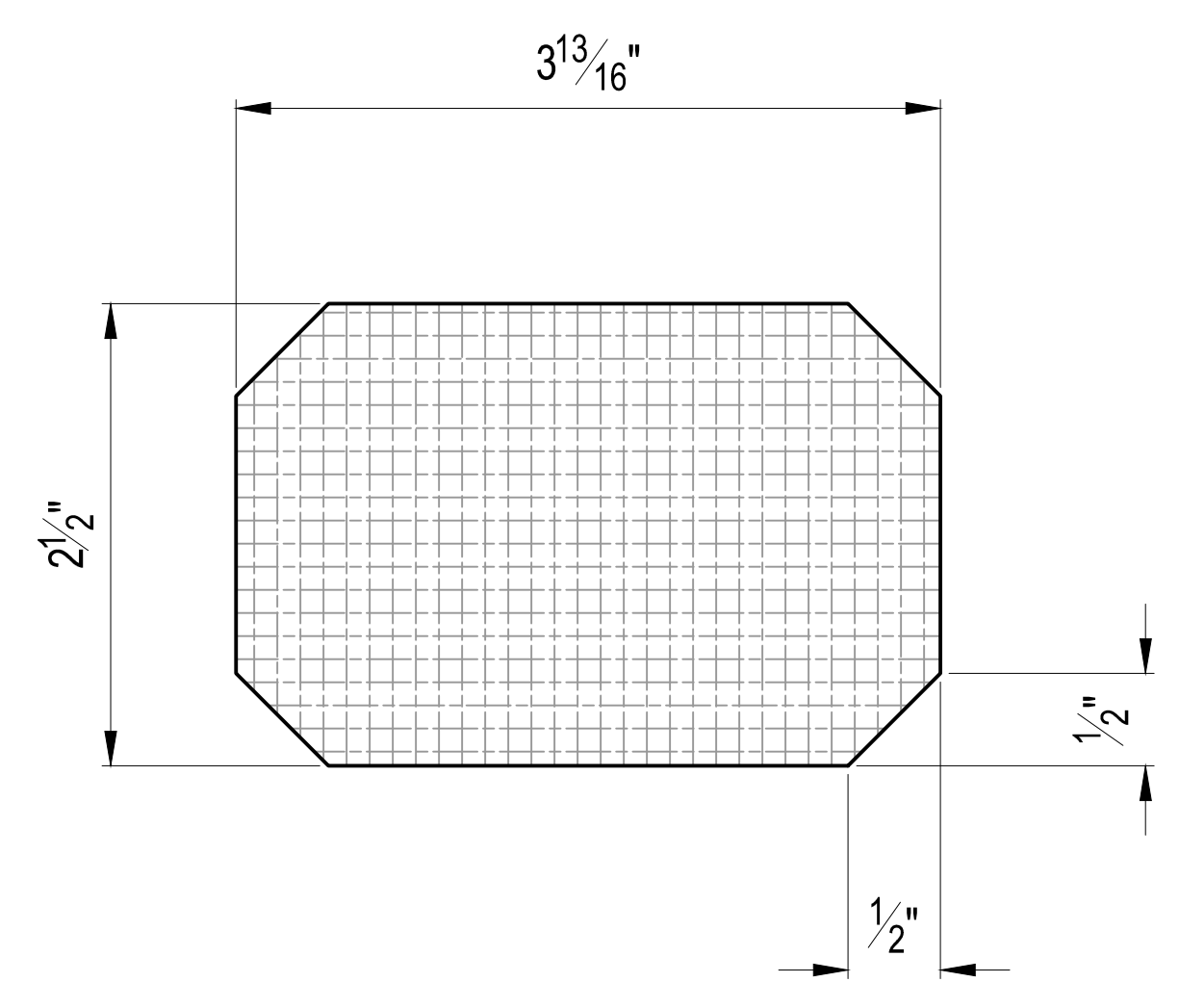
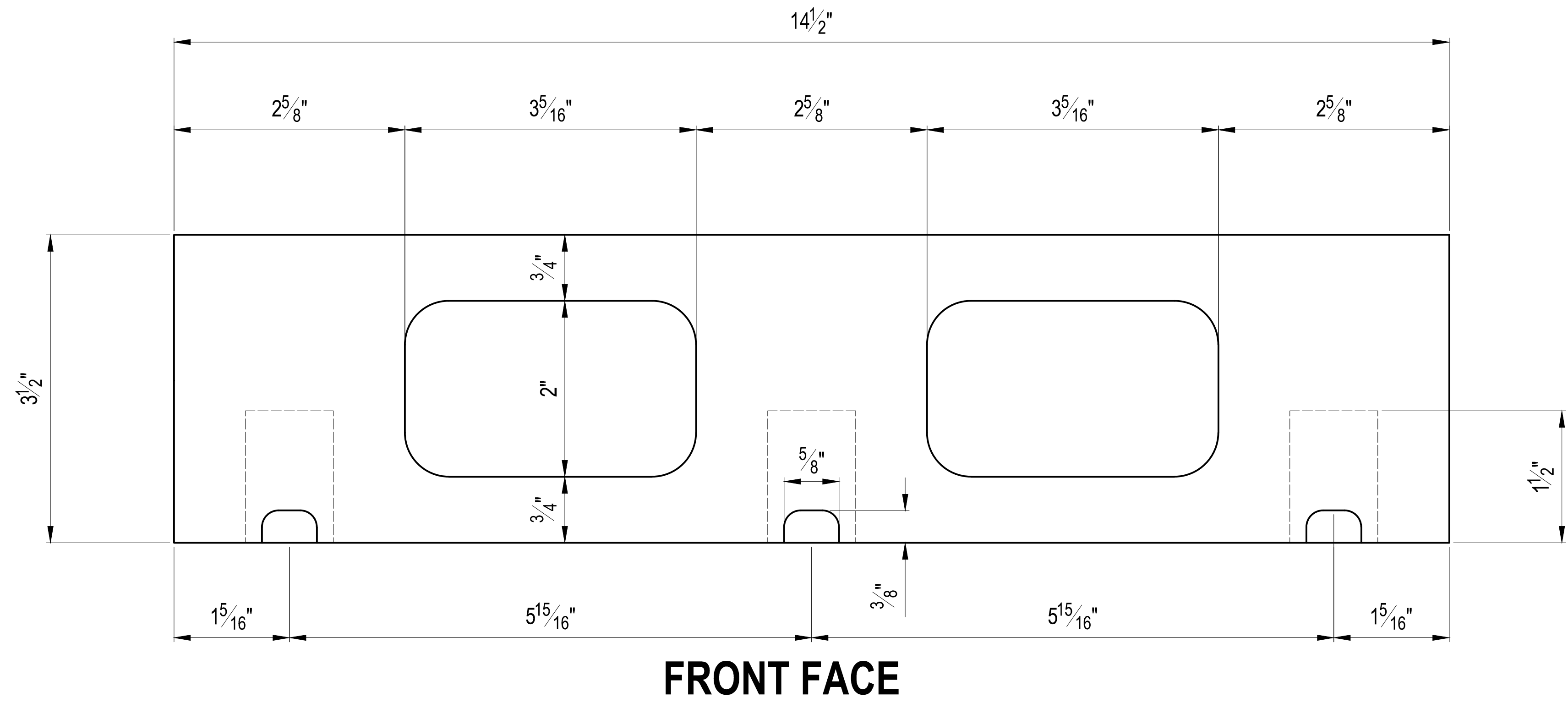
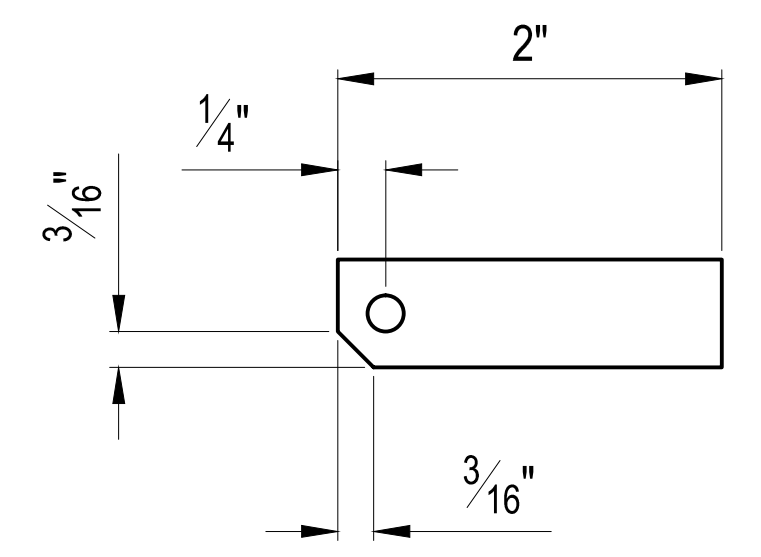
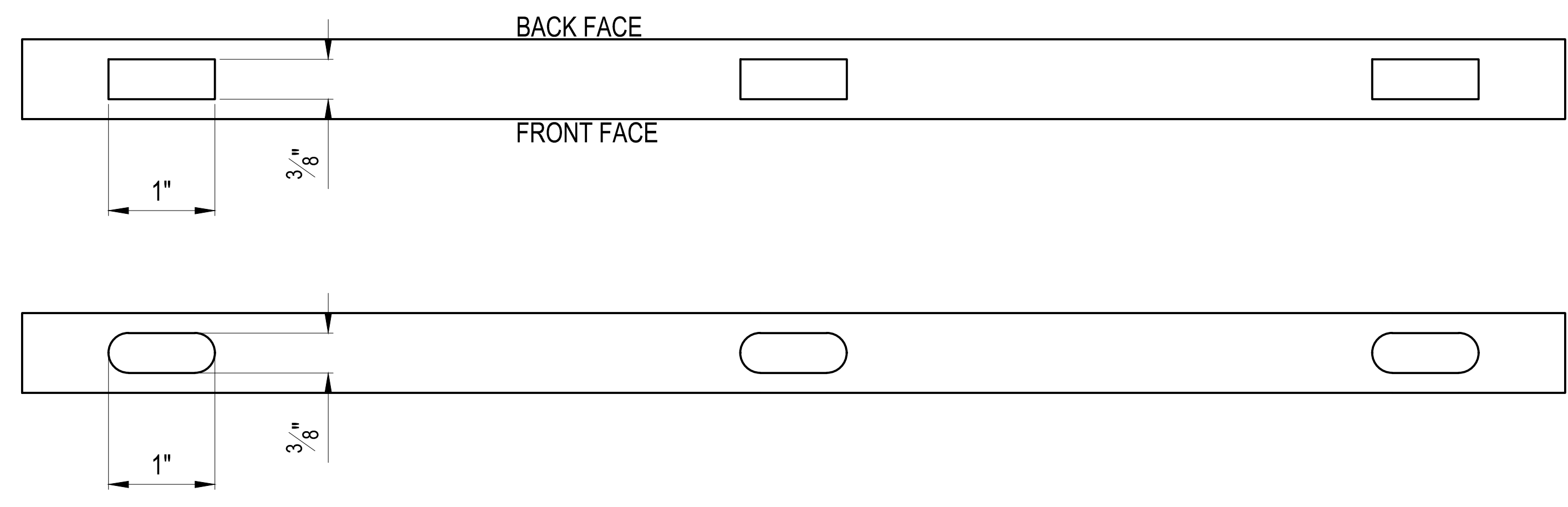
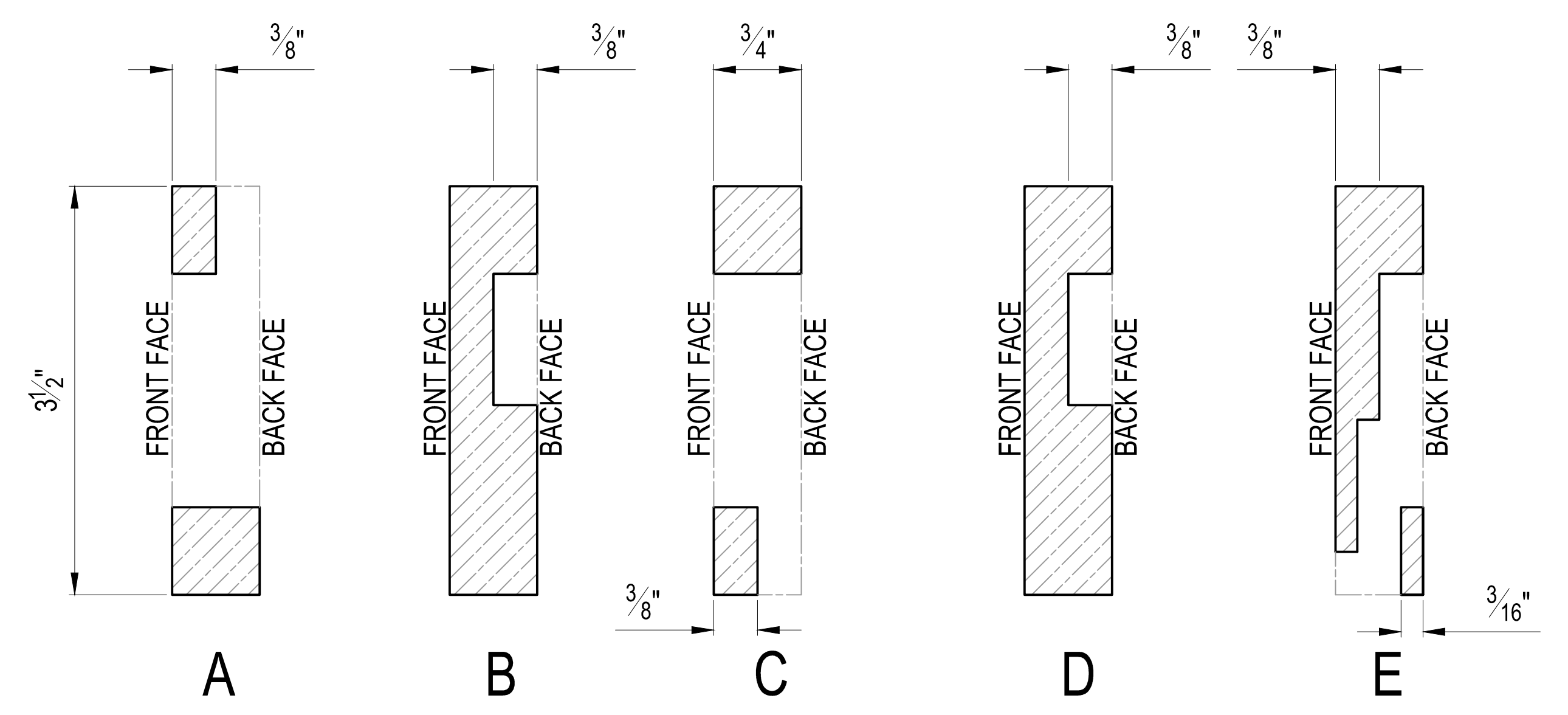
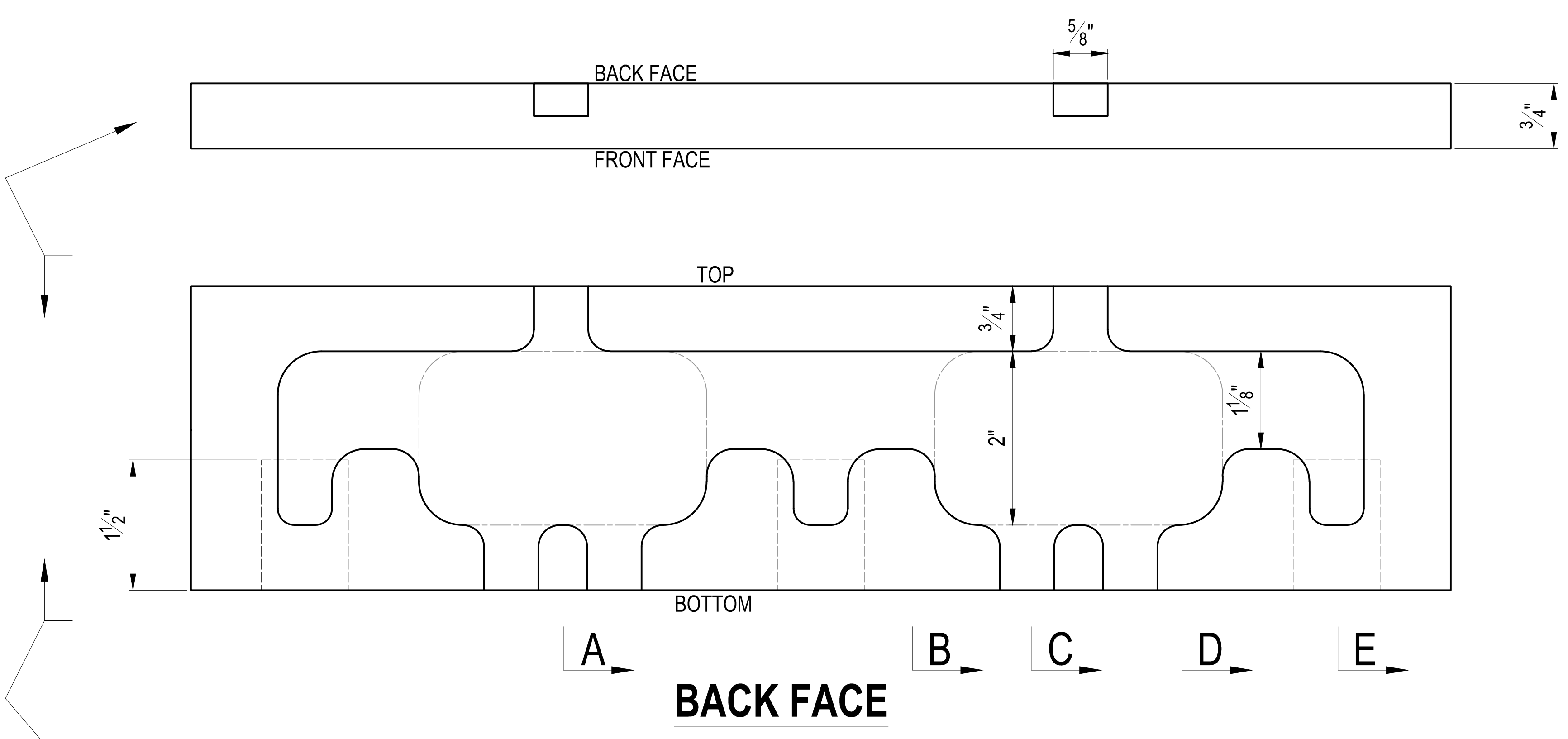


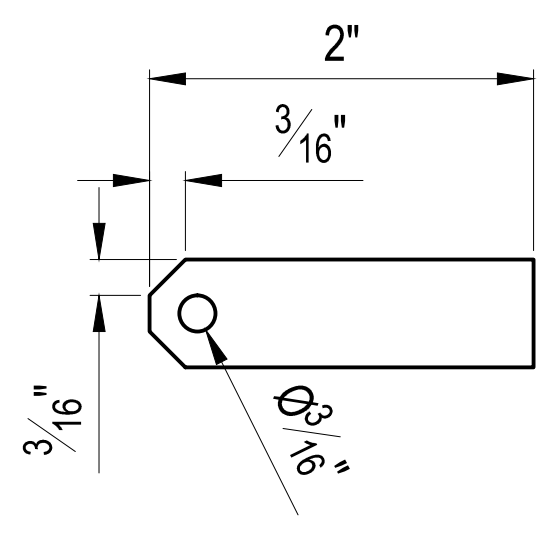
ROUTER TEMPLATE



qty:2
1/8" GALV. HARDWARE CLOTH



qty:3
30 ga GALV. STEETMETAL

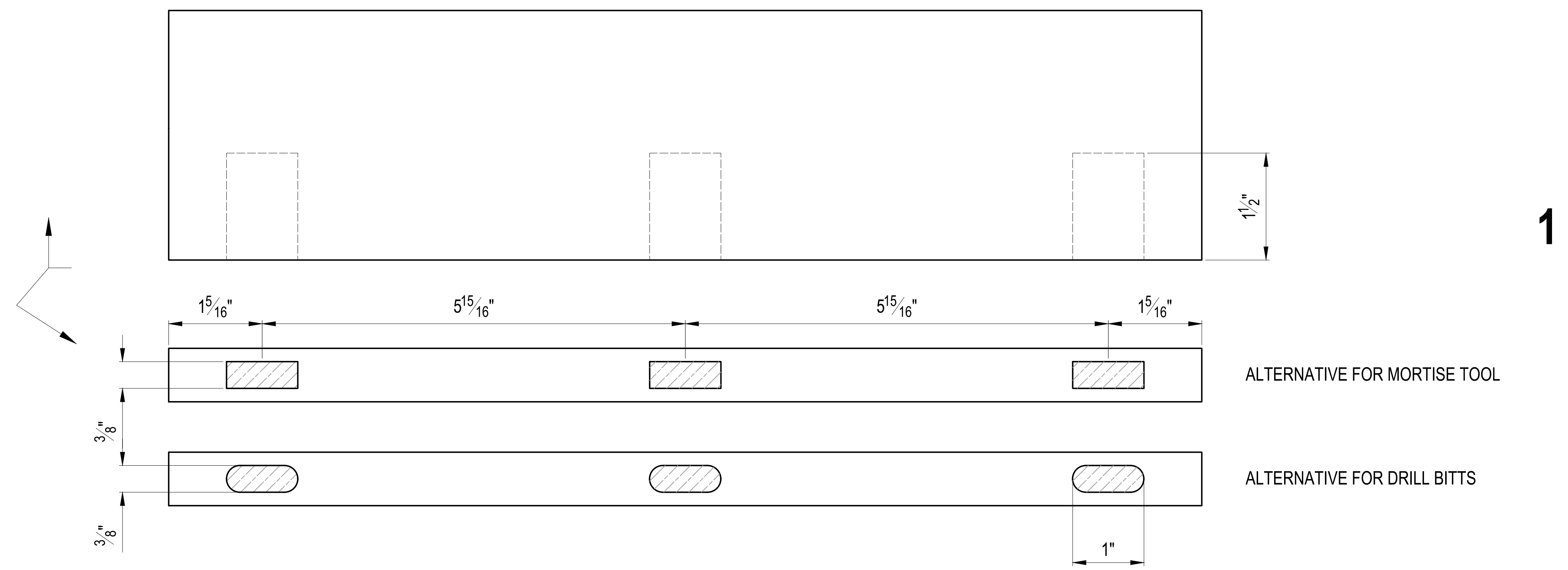


qty:2
30 ga GALV. STEETMETAL

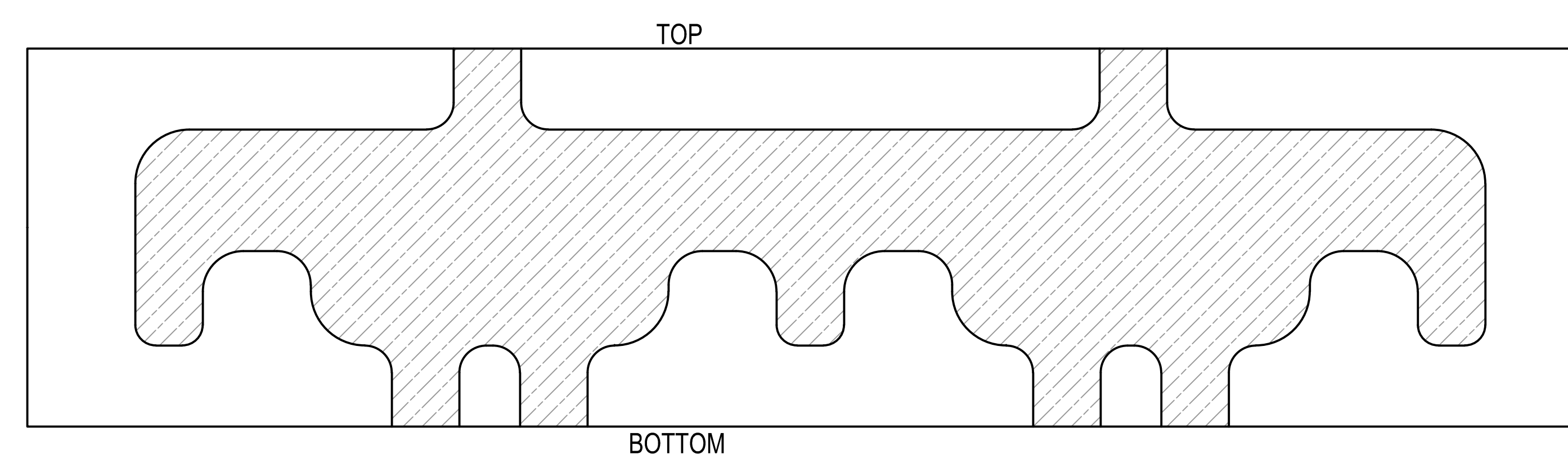
5/64" Softwood Drill Bit Size
3/32" Hardwood Drill Bit Size

SCREWS
qty:5
#8 x 3/4"

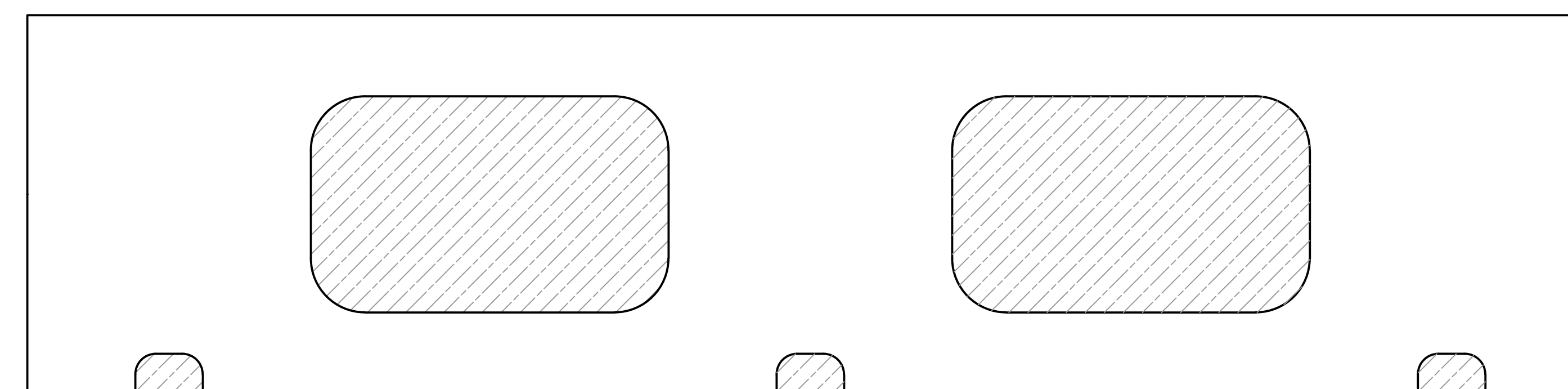
MACHINING SEQUENCE



1



2



3

